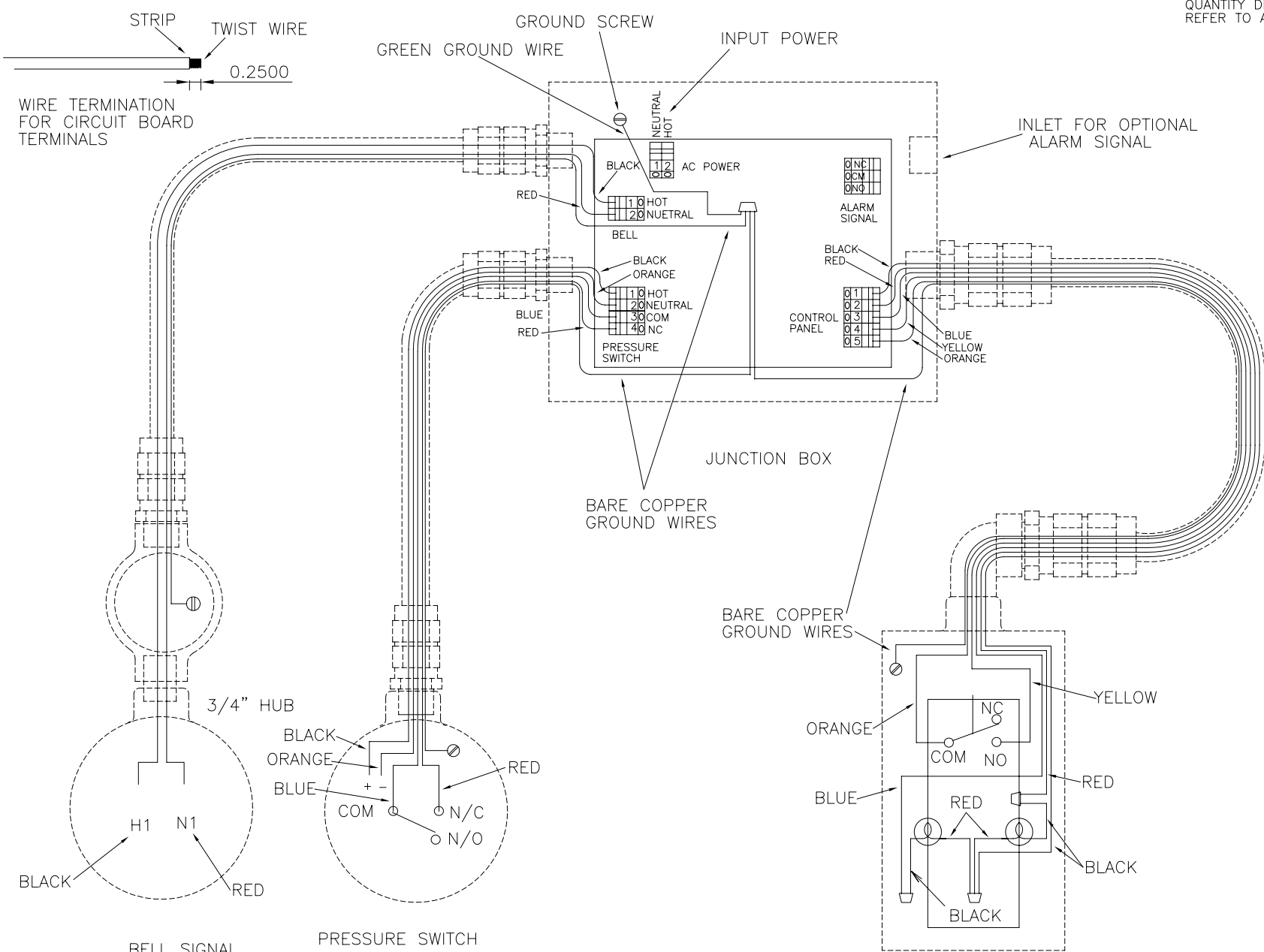
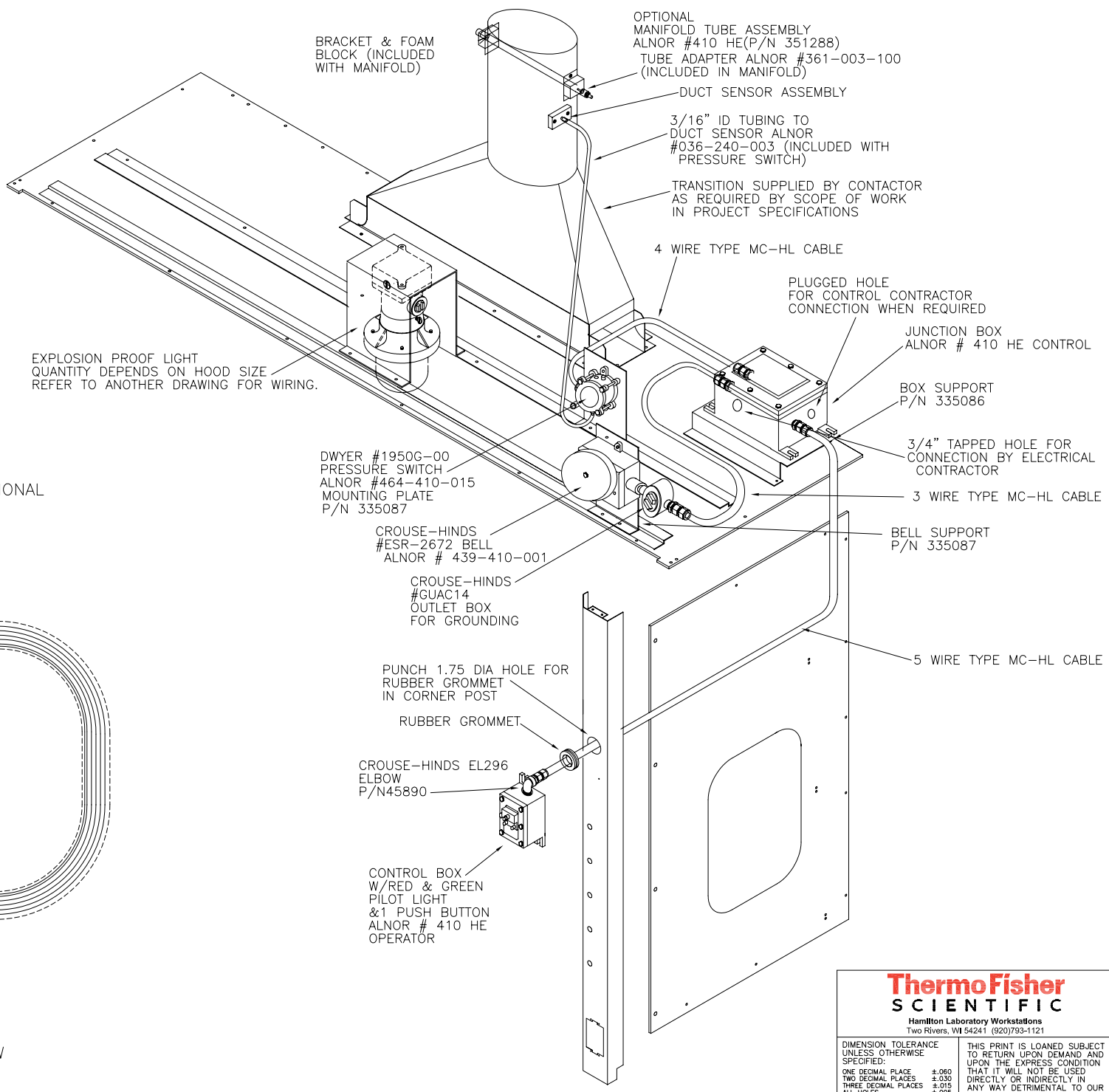


SCHEDULE

ITEM	DESCRIPTION	PART NO.	QTY.	LENGTH	REMARKS:
1	ENCLOSURE ALNOR 410 HE CONTROL	00049816	1		
2	PRESSURE SWITCH #464-410-015	00049817	1		3/16"ID TUBING X 10 FT. INCLUDED W/PRESSURE SWITCH
3	BELL ALNOR #439-410-001	00060426	1		
4	BLOCK SENSOR	00325056	1		
5	TUBE, SENSOR	00329146	1		
6	PTHSMS 8X3/4 ST ST	01420812	2		STAINLESS STEEL
7	ELBOW, 90 DEG MALE/FEMALE 3/4	00045890	1		CROUSE-HINDS #EL296
8	CH #RE21 3/4" X 1/2" REDUCER	00045888	1		CROUSE-HINDS #RE21 3/4" X 1/2" REDUCER
9	SUPPORT, PRESSURE SUPPORT OPT	00335087	2		
10	SUPPORT BOX (OPTIONAL)	00335086	1		
11	TERMINATOR, 3/4" CABLE	00049149	2		3/4" CABLE TERMINATOR CROUSE-HINDS TMCX285
12	CABLE, 14/3 TYPE MC-HL	831-0517	1	60"	1 WIRE NOT USED
13	CABLE, 14/4 TYPE MC-HL	831-0518	1	60"	
14	CABLE, 14/5 TYPE MC-HL	831-0519	1	96"	
15	TERMINAL 12-10 8 STUD	00049125	2		RC1223 T&B FORK TONGUE INSULATED
16	ALNOR #410 HE OPERATOR	00049815	1		
17	TERMINATOR, 1/2" CABLE	00049148	4		1/2" CABLE TERMINATOR CROUSE-HINDS TMCX165
18	NIPPLE 1/2X1 1/8 GALV.	00046092	1		
19	BOX, CONDUIT OUTLET (OPTIONAL)	00045672	1		CROUSE-HINDS GUAC14
20	GROMMET	00017797	1		McMASTER CARR #9307-K84
21	NUT, WIRE ORANGE WAGO	00049077	2		WAGO #773-164 ORANGE WIRE NUT (4 WIRE)
22	NTU, WIRE YELLOW WAGO	00049076	2		WAGO #773-166 PURPLE WIRE NUT (6 WIRE)



WIRING DIAGRAM

EXPLOSION PROOF ALARM ASSEMBLY

ThermoFisher
SCIENTIFIC

Hamilton Laboratory Workstations
Two Rivers, WI 54241 (920)793-1121

DIMENSION TOLERANCE UNLESS OTHERWISE SPECIFIED: ONE DECIMAL PLACE ±.060 TWO DECIMAL PLACES ±.030 THREE DECIMAL PLACES ±.015 ALL HOLES ±.005 ANGLES ± 1°	THIS PRINT IS LOANED SUBJECT TO RETURN UPON DEMAND AND UPON THE EXPRESS CONDITION THAT IT WILL NOT BE USED DIRECTLY OR INDIRECTLY IN ANY WAY DETRIMENTAL TO OUR INTERESTS.
DUE TO VARIANCES IN COPY MACHINE TECHNOLOGY, ALL DRAWING SCALES ARE NOMINAL. USE DIMENSIONS FOR COORDINATION / LAYOUT PURPOSES	
ARCHITECT	
PROJECT	
DRAWN	
DATE 00/00/0000	
ORDER NO.	
SYMBOL DATE BY REVISION	
NOMINAL SCALE B-Size 3/8"=1' D-Size 3/4"=1'	
DRAWING NO.	
PROJECT LEADER	

T:\Engineering\AutoCAD\Details_Electrical\ELECTRICAL\54L\54L041000 EXP ALARM WIRING.dwg, 5/10/2007 2:15:36 PM, TGelbuda