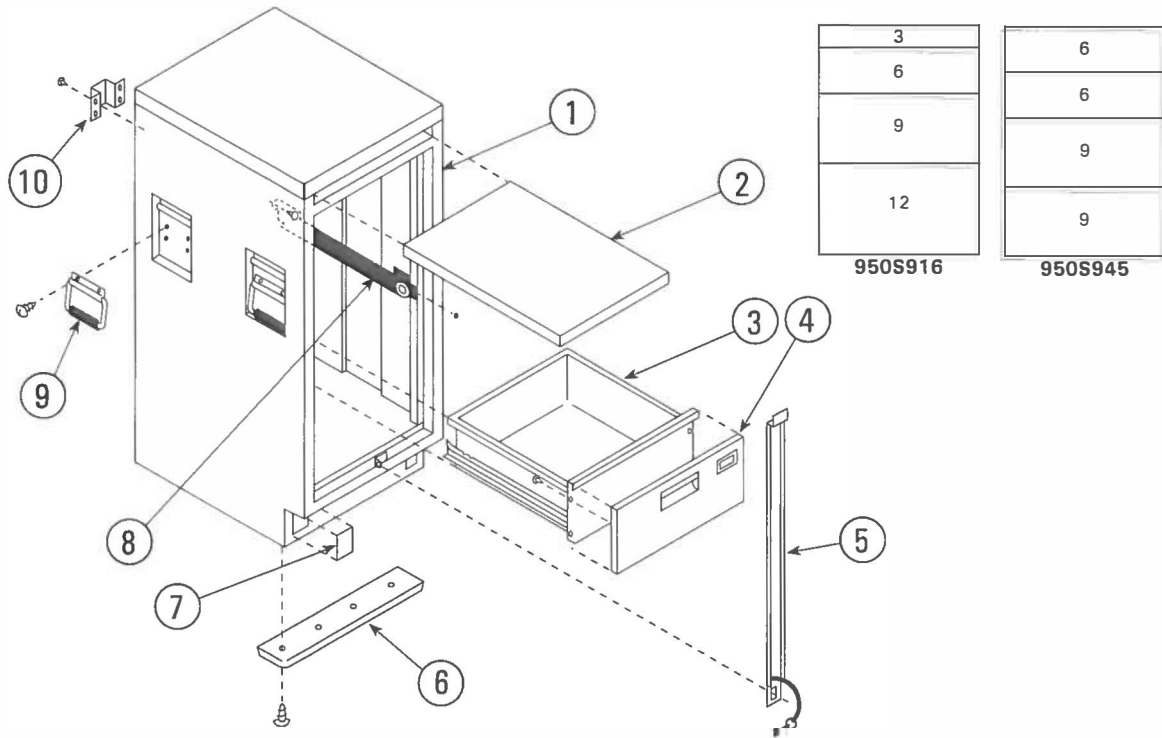


## 950S916 and 950S945 Parts List

NSN: 6525-01-163-3760 and 6525-01-163-3761



Ref. No. Description	Part Numbers Making Up Assembly	Ref. No. Description	Part Numbers Making Up Assembly
1 18" Shell Assembly	1 - 618133 Welded Shell 2 - 610009 Upright 4 - 14537 Mtg. Clip 2 - 14538 Mtg. Clip 1 - 618212 Counter Top 6 - 1921010 #10 x 5/8" PPHSMS 1 - 618216 Bottom Enclosure 6 - 29258 Fastener	2 - 1920408 PPHSMS 4 - 1920606 #6-18 x 3/8" PPHSDS 12" Drawer Head Asm.	1 - 618209 12" Drawer Head 1 - 18382 Label Holder 2 - 1920408 PPHSMS 4 - 1920606 #6-18 x 3/8" PPHSDS
2 Pullboard Asm.	1 - 610748 Pullboard 1 - 683776 Hardware Asm.	5 Bar Retainer Asm.	1 - 618456 Cable Asm. 1 - 618193 Bar Retainer 1 - 29258 Fastener 1 - 27590 Locking Pin
3 Complete Drawer Asm. w/run, Specify Height.	1 - 682358 3" Drawer Body 1 - 682251 6" Drawer Body 1 - 682278 9" Drawer Body 1 - 682296 12" Drawer Body	6 Skid Asm.	1 - 618217 Skid 4 - 1120810 #8 x 5/8" PPHSMS
4 3" Drawer Head Asm.	1 - 618206 3" Drawer Head 1 - 18382 Label Holder 2 - 1920408 PPHSMS 4 - 1920606 #6-18 x 3/8" PPHSDS	7 Cover Asm.	1 - 618215 Cover
6" Drawer Head Asm.	1 - 618207 6" Drawer Head 1 - 18382 Label Holder 2 - 1920408 PPHSMS 4 - 1920606 #6-18 x 3/8" PPHSDS	8 Run Asm., Pair	1 - 683272 Channel Asm. LH Case 1 - 683275 Channel Asm. RH Case 2 - 9221206 #12 x 3/8" Sqr. Flo Tap Screw 2 - 9220810 #8 x 5/8" PPHSDS
9" Drawer Head Asm.	1 - 618208 9" Drawer Head 1 - 18382 Label Holder	9 Handle Asm.	1 - 618428 Handle 5 - 29258 Fastener
		10 Bracket, Bar Retainer Asm.	1 - 618164 Bracket 4 - 29258 Fastener