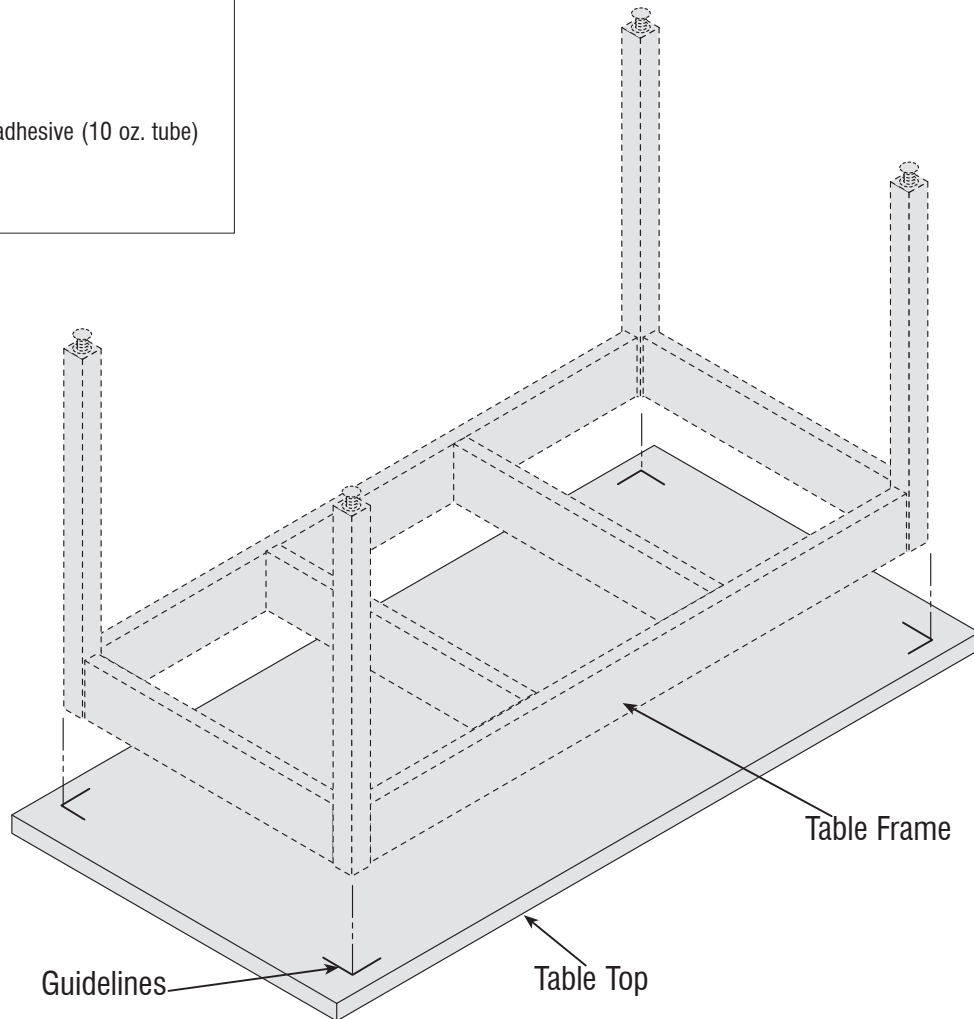


**Tools Required:**

Tape measure  
Marking device

**Materials Required:**

1 – GE 100% clear silicone adhesive (10 oz. tube)  
Denatured alcohol  
Rags



1. Refer to instructions on silicone adhesive tube for cure time and safety information.
2. Lay the top (bottom up) on a clean level surface.
3. Locate the table frame assembly on the top, making sure it is centered, with equal spaces on the ends, front and rear.
4. Mark guidelines on the top at the corners of the table frame.
5. Remove the table frame assembly. Top and table frame must be clean and free of oil before applying adhesive. Apply a continuous path of RTV108 Adhesive (20L00100) to the top surface of the table frame including all cross members.
6. Relocate the table frame assembly onto the top using previous marks to position the frame.
7. Apply moderate pressure and allow to cure overnight.